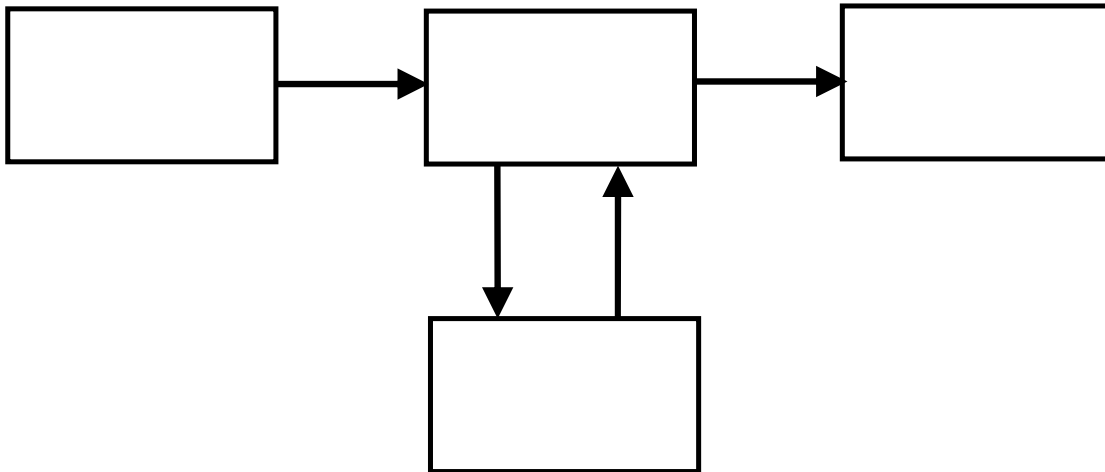
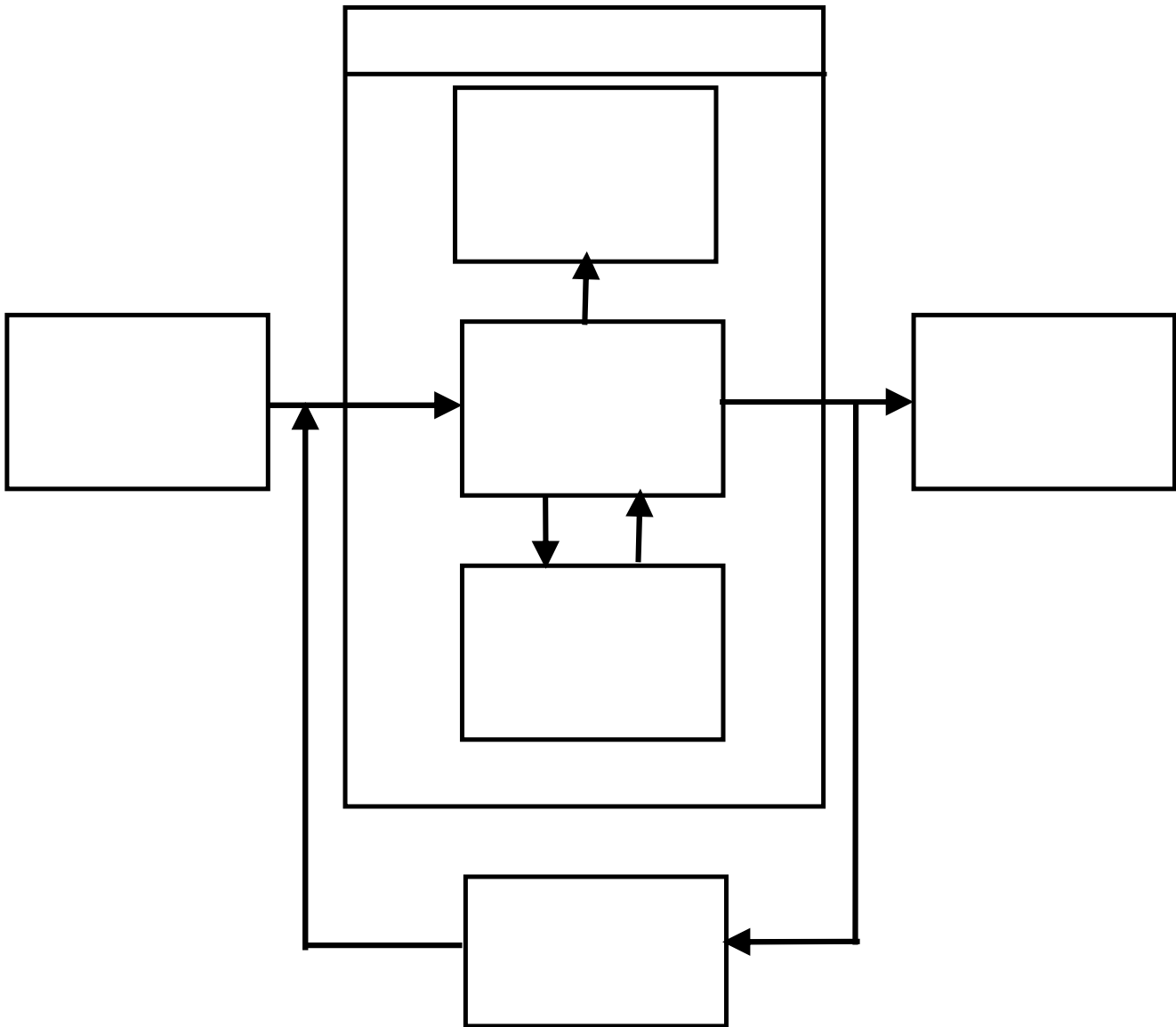


**BASIC COMPUTER SYSTEM**





- CU:** Control Unit  
**CM:** Central Memory (also called IAM – Immediate Access Memory)  
**ALU:** Arithmetic & Logic Unit  
**ROM:** Read Only Memory  
**RAM:** Random Access Memory  
**PROM:** Programmable ROM  
**EPROM:** Erasable PROM  
**Arithmetic:** + - / \*  
**Logic:** < > = ≠

## HARDWARE / SOFTWARE

**Hardware:** the physical components of the system  
keyboard, screen, mouse...

**Software:** data, programs, information

☺ if you can touch it, it is hardware ☺

## The Human-Computer Interface (HCI)

☺ **Command Driven Systems**  
eg. DOS ☺ difficult to learn, needs text entering (usually codes or abbreviations) and is usually technical.

☺ **Menu Driven Systems**  
Better than command driven but may still rely on the keyboard

☺ **WIMP systems**

W windows  
I icons  
M mouse/ menu  
P pointer/ pull down menu

GUI:  
graphical user  
interface

eg Windows  
Macintosh

☺ **Voice Recognition Systems**  
Speech activated systems



**USER FRIENDLINESS**